

Silo Ø 2.5 m

Type	Volume m ³	Porte	H m	X cm	Y cm
15	14.73	1	3.00	120	-
20	19.64	2	4.00	110	70
25	24.54	2	5.00	130	110
30	29.45	3	6.00	110	80
35	34.36	3	7.00	120	100
40	39.27	4	8.00	110	90
45	44.18	4	9.00	120	100
50	49.09	5	10.00	110	95

Silo Ø 3.5 m

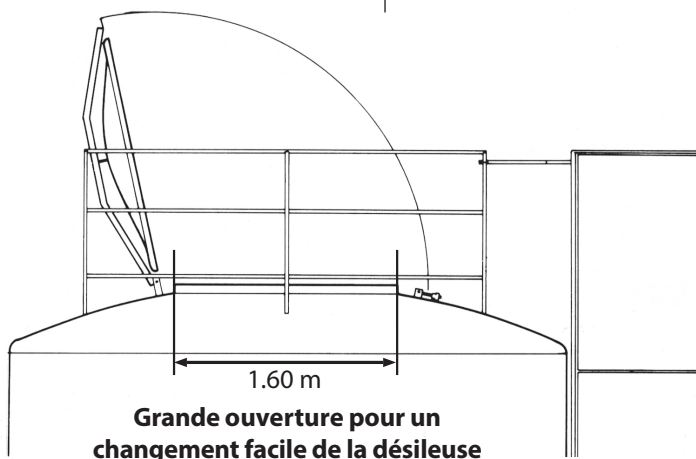
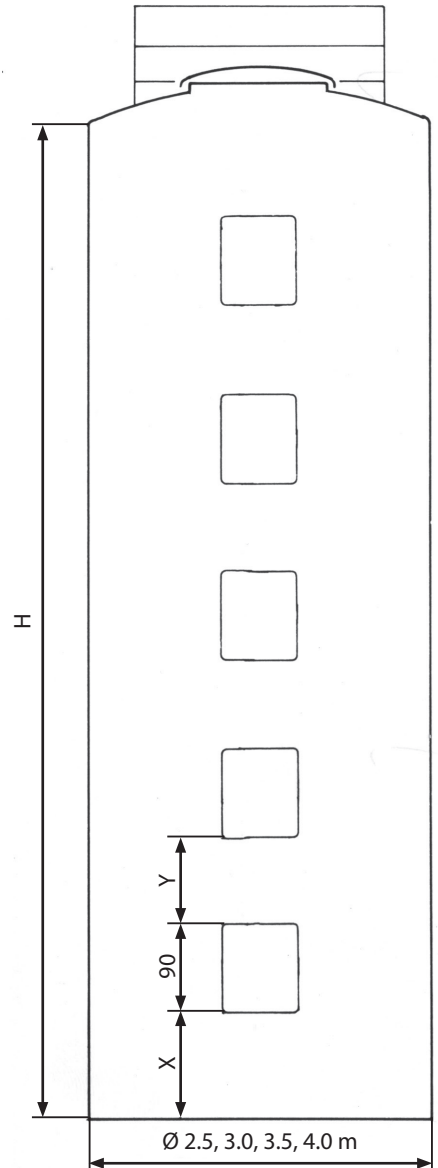
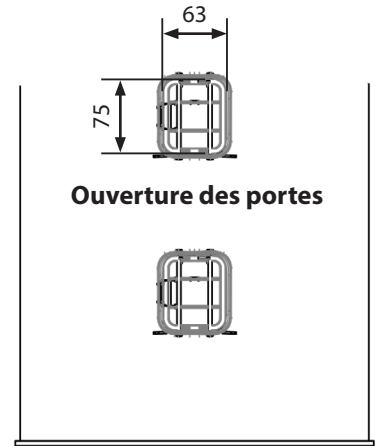
Type	Volume m ³	Porte	H m	X cm	Y cm
50	50.03	2	5.20	130	110
60	59.65	3	6.20	110	90
70	69.27	3	7.20	130	100
70	69.27	4	7.20	110	65
75	74.56	4	7.75	110	85
80	79.86	4	8.30	110	90
90	89.48	5	9.30	110	80
100	97.17	5	10.10	110	90
105	102.47	5	10.65	120	100
105	102.47	6	10.65	110	80
110	106.80	6	11.10	110	80
115	112.09	6	11.65	110	90
120	117.38	6	12.20	110	95
125	120.20	6	12.50	120	100
125	120.20	7	12.50	110	70
135	129.89	6	13.50	110	125
135	129.89	7	13.50	110	90
140	134.70	7	14.00	110	95
150	144.32	7	15.00	110	110
160	158.75	7	16.50	110	125
170	168.28	8	17.50	110	110
190	191.50	8	19.90	130	145
190	191.50	9	19.90	130	120

Silo Ø 3.0 m

Type	Volume m ³	Porte	H m	X cm	Y cm
20	19.79	1	2.80	110	-
30	29.69	2	4.20	110	90
35	34.64	2	4.90	120	110
40	39.59	2	5.60	130	130
45	44.53	3	6.30	110	90
50	49.48	3	7.00	120	100
50	49.48	4	7.00	110	60
55	54.43	4	7.70	110	80
60	59.38	4	8.40	110	90
66	66.09	5	9.35	110	80
70	69.98	5	9.90	110	90
77	77.05	6	10.90	110	75
80	79.17	6	11.20	110	80
90	88.36	6	12.50	110	100
100	95.43	7	13.50	110	90

Silo Ø 4.0 m

Type	Volume m ³	Porte	H m	X cm	Y cm
75	75.40	3	6.00	110	80
90	87.97	3	7.00	110	100
100	100.53	4	8.00	110	90
115	113.10	5	9.00	110	80
125	125.66	5	10.00	110	95
140	138.23	6	11.00	110	80
150	150.80	6	12.00	110	95
160	157.08	6	12.50	110	100
170	169.65	7	13.50	110	90
190	188.50	7	15.00	110	110
200	201.06	7	16.00	110	135
210	207.35	7	16.50	110	138
220	213.63	7	17.00	110	145
235	234.99	8	18.70	110	130
250	250.07	8	19.90	110	140
250	250.07	9	19.90	130	120



Sur demande dimensions
 entre-deux (Silos plus grands sur
 demande)